

# Product Specification

# TANK200

4G TRAIL CAMERA



## THE FIRST AI-POWERED CELLULAR TRAIL CAMERAS

AI-Powered

### Instant HD Photos & Videos with Zero Cost

Receive your requested HD photos & videos in no time and with no extra cost.  
All powered by AI technology

5

Megapixel

2K FHD  
Video

with sound

20M

Detection  
Range

0.4s

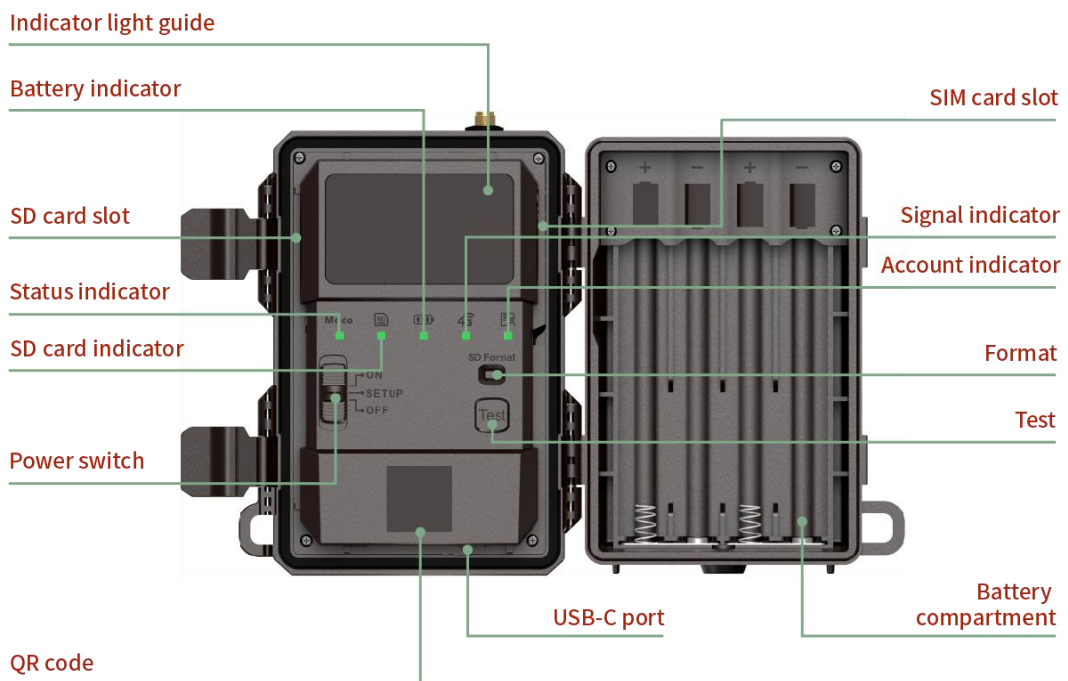
Trigger  
Speed

940nm

No-Glow  
Illumination

# Product Display

## 1. Product Details



## 2. Accessories



No	Item
1	Trail Camera 1pc
2	4G Antenna 1pc
3	Military Green Clip Strap 1pc
4	Instruction Manual (English) 1pc
5	Quick Start Card (English) 1pc
6	SY-SIM Card 1pc <b>(Optional, based on actual order requirements)</b>

## Product Specifications:

### 1. Specifications

Image Sensor		
No	Item	Specification
1	Sensor	3 Megapixels CMOS
2	Aspect Ratio	16:9
Lens		
No	Item	Specification
1	DFOV	60°
2	F No.	F/2.0
Wireless Mode		
No	Item	Specification
1	4G Module	4G LTE Cat1
Trigger Time		
No	Item	Specification
1	Trigger Time	400ms-500ms
Day and Night Detection		
No	Item	Specification
1	Day Mode	Color
2	Night Mode	Black-and-White
Photo		
No	Item	Specification
1	Stored Photo Size	5M(3072x1728)
2	Send Photo Size	768x432
3	Multi-shot	1P/2P/3P
4	File Format	JPG
Video		
No	Item	Specification
1	Encoding	H.264/H.265
2	Audio	Support
3	Stored Video Size	1080P(1920x1080)
4	Send Video Size	640x360
5	Video Length	10s record and transmit
6	File Format	MP4

FW Update		
No	Item	Specification
1	SD Card Update	Support
2	OTA Update	Support
Memory		
No	Item	Specification
1	Local Storage	SD Card: 8GB - 128GB (Require formatting for 64GB & 128GB)
iOS/Android APP		
No	Item	Specification
1	Name	"Trailcam Ace" or Customized App
2	iOS/Android System	Support
Ambient		
No	Item	Specification
1	PIR	Angle: 60°
		Range: Maximum support of 20m
2	Day& Night Sensor	Support
3	Temperature	Support
4	Microphone	Support
Interface		
No	Item	Specification
1	SD Card	Standard SD Card Slot
2	SIM Card	Standard SIM Card Slot
3	USB Port	Type-C
4	DC Port	4.4mm*1.6mm
Transmission Mode		
No	Item	Specification
1	Remote Control	Support
2	MSDC	Support
Power Supply		
No	Item	Specification
1	Battery Supply	8 AA; Alkaline/NI-MH/ Lithium
2	DC Supply	12V-2A Adapter

Operating Keys		
No	Item	Specification
1	Key Switch	1pcs; ON/Setup/OFF Three-Position Switch
2	Button Switch	3pcs; Test, SD Format, Reset
LED		
No	Item	Specification
1	IR LED	54pcs; 940nm
2	Power Light	Red Colored LED 1pcs
3	Mode Light	Green/Blue Bi-Colored LED 1pcs
4	SD Light	Green/Red Bi-Colored LED 1pcs
5	Battery Light	Green/Red Bi-Colored LED 1pcs
6	Signal Light	Green/Red Bi-Colored LED 1pcs
7	Account Light	Green/Red Bi-Colored LED 1pcs
Weight & Dimensions		
No	Item	Specification
1	Weight	257g (Excludes Antenna and Batteries)
2	Dimensions	129mm*94mm*76mm (Excludes Antenna)
Environment		
No	Item	Specification
1	Waterproof spec	IP66
2	Operating Temperature	-20°C - 55°C
3	Storage temperature	-25°C - 60°C
4	Operation Humidity	5% - 90%
5	Storage Humidity	40% - 60%
Certification		
No	Item	Specification
1	Certification	FCC; CE; RoHs; REACH